

Quick-Lift Rail Torque

QLRT 350s



Intelligent lifting device which meets the highest standards of ergonomics, working environment, safety and efficiency.

Easy to use, thanks to outstanding responsiveness, regardless of load weight.

Exceptional safety is achieved using our intelligent control systems.

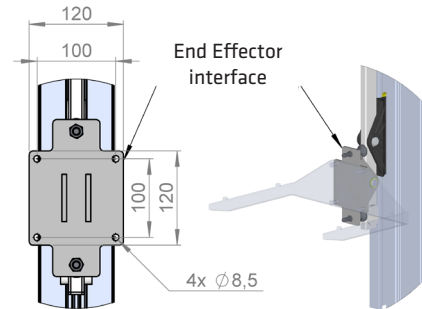
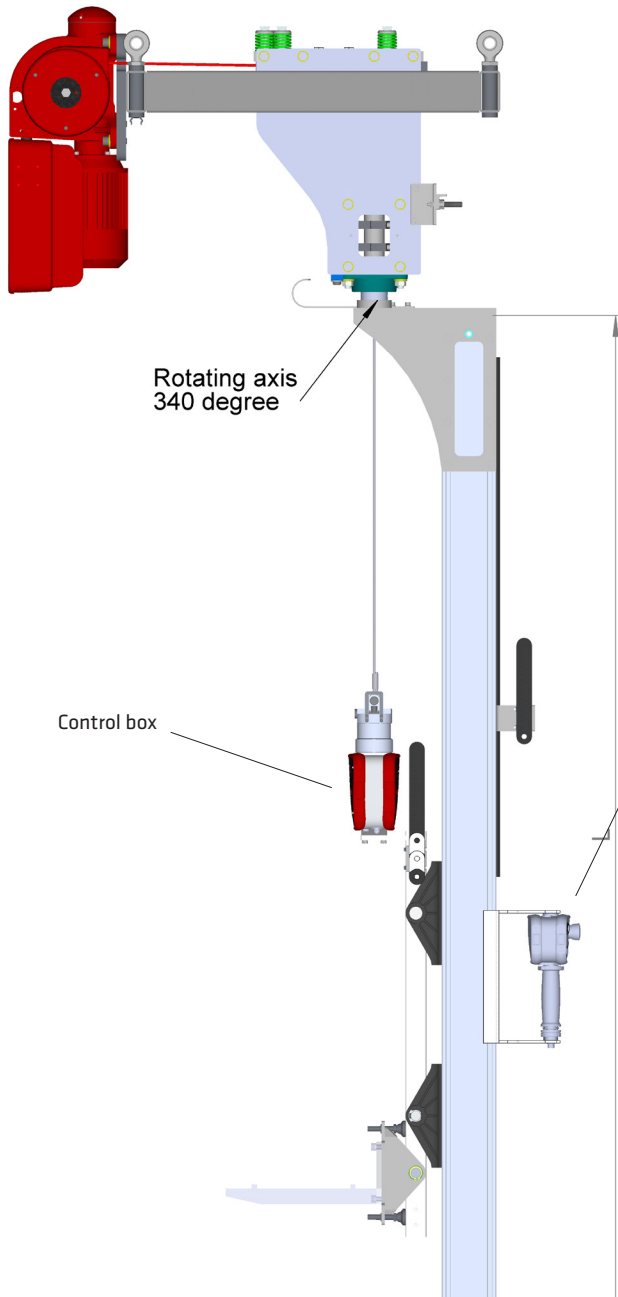
The solution includes adaptation of the QLR 350s with a vertical torque arm and torque trolley; torque attachment and a horizontal frame must be added at Binar Handling AB.

The arm and vertical torque lengths must be calculated individually.

This is done by Binar Handling AB in cooperation with resale office and customer.

It is recommended to add a pneumatic brake/halt system.

Quick-Lift Rail Torque QLRT 350s



Control box

Rotating axis
340 degree

Control Handle

TECHNICAL DATA QLRT 350s

Lifting capacity	Max bending moment 350 Nm at gripper base
Stroke length	2,7 meter
Lift motor	Stepless servo-controlled asynchronous motor
Weight	43 kg
Power supply	230V, 50-60 Hz, 1-phase with ground protection, 10A
Attachment	The QLRT 350S can be mounted in the most types of rail systems. Existing rail systems can often be used.
Manoeuvring	<p>Manoeuvring is done by using a patented Control Handle or balancing mode. Both options sense the operator's hand/arm movement and give a very exact and smooth speed control.</p> <p>Only a small force is needed to engage the up/down motion. When the operator let go of the handle, the up/down motion is immediately stopped.</p>
End effector	End effectors are designed to fit customer's need. Intelligent I/O signals are available for optimum functionality.
Options	<p>Brake system is available and is recommended.</p> <p>Color of Motor unit that deviates from the standard</p>

Binar Handling AB disclaims responsibility for any errors or incomplete information in the published material and reserves the right to make changes

Binar Handling AB

Hedekullevägen 24 • SE-461 38 TROLLHÄTTAN • Sweden
 telephone: +46 (0)520 47 40 00 • e-mail: info.handling@binar.se
 www.binarhandling.com

2021-02-16 EN 3.1

BINAR
 Improving your productivity